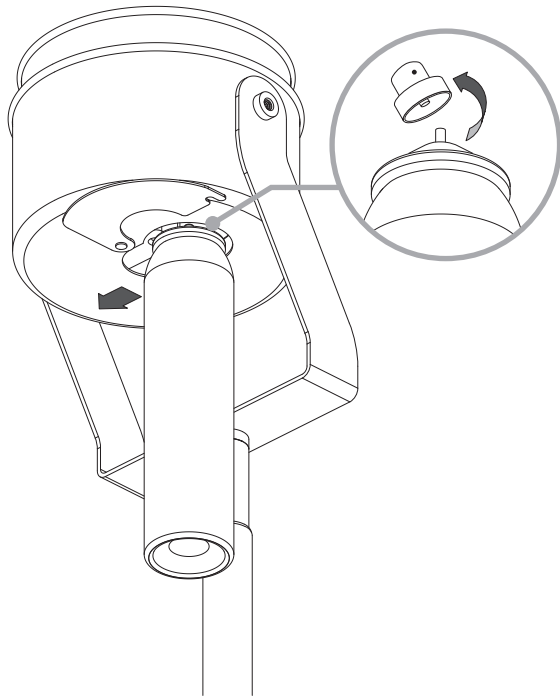
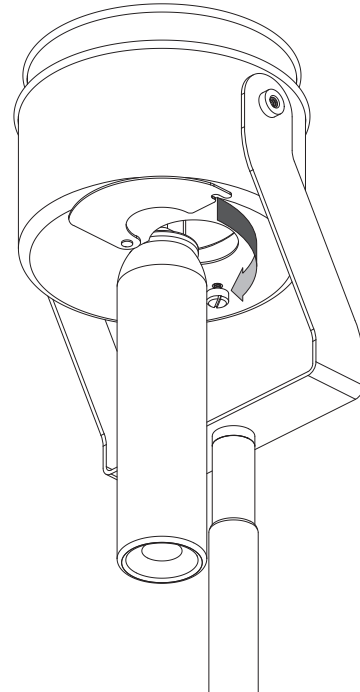


# NFBS Smoke Detector Test Device Manual

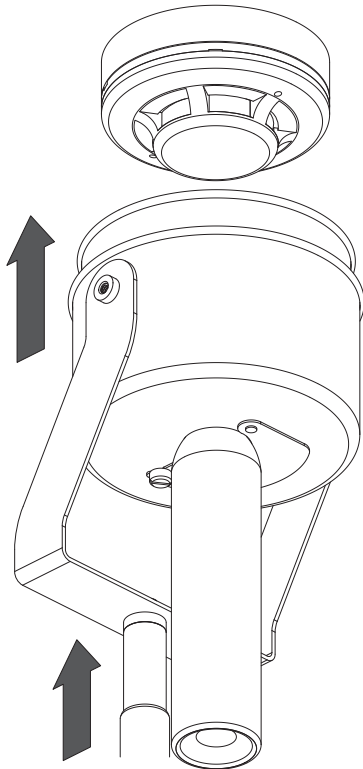
- 1** Remove the head of nozzle from the smoke tester spray and install the tester spray into the bottom groove.



- 2** Fix the spray can and latch back the iron plate.



- 4** Place the test vessel over the detector, press upwards 1~2 times (about 1 second per time) and wait seconds for detector activation.



- 3** Lock the bolt screw ready for test.

