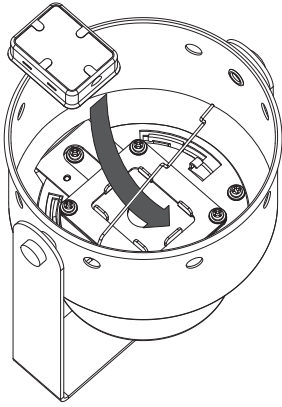
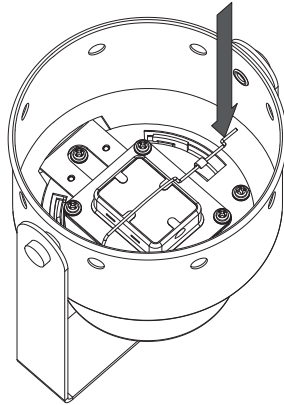


NFBR Heat Detector Test Device Manual

1 Install the heating fiber into the vessel.



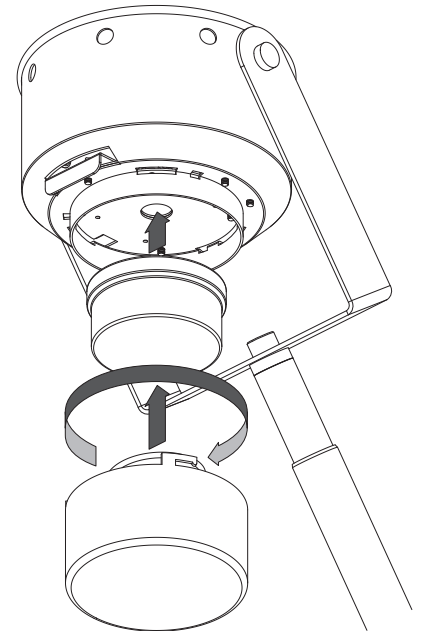
2 Press and fix the spring.



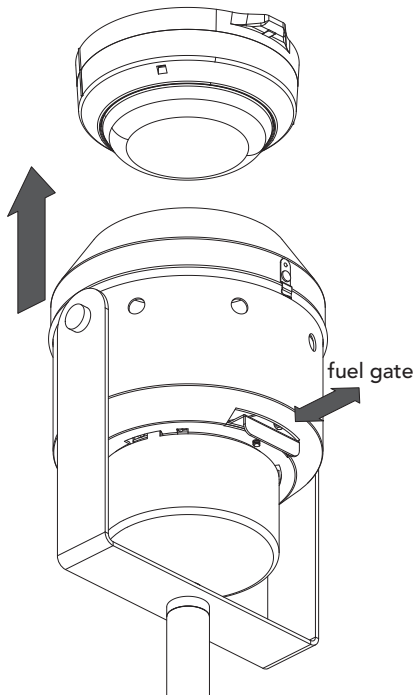
3 Fuel the CLEANING NAPHTHA into the fuel cup ($\leq 40\text{cc}$), make the cotton fully absorbed.



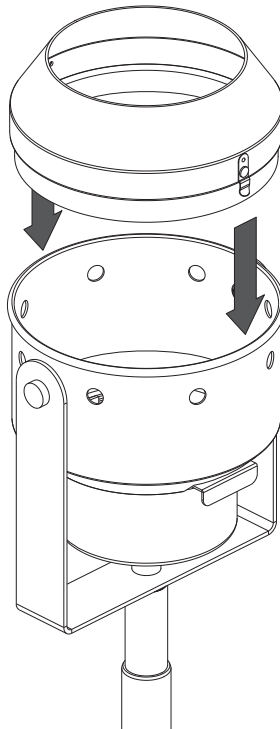
4 Assemble the fuel cup and replace the base.



7 Place the test vessel over the detector for seconds, confirm the activation of detector and move away the test vessel.



6 Replace the top frame.



Control of fuel gate:
Open: Pull inward when testing
Close: Pull outward

5 Ignite the heating fiber carefully. After burning for 5~6 seconds, extinguish the flame to make it smolder.

