

1. Status LED Descriptions

- A. Standby: LED flash once every 13 seconds
- B. Wire-break: LED flash once every 4 seconds
- C. Alarm: LED on
- D. Relay output: LED flash quickly twice every 13 seconds
- E. Repeat coding number: LED flash once every 0.5 seconds

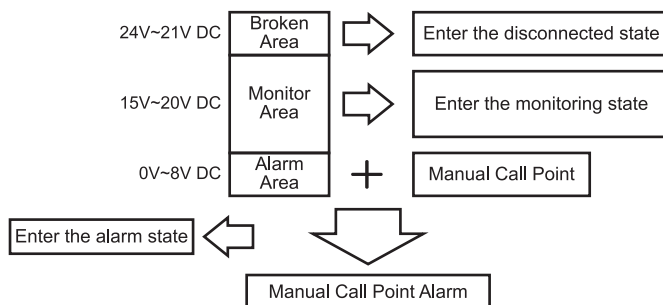
2. Alarm and Relay output status:

In alarm and relay output status, 1 set of 24VDC output and 1 set of Dry Contact output are activated, and then reset when reinstated.

3. Detector Loop (L / LC / A) :

- A. Standby status detection (15V~20V DC)
- B. Wire-break status detection (24V~21V DC)
- C. Alarm status detection (0V~8V DC)
- D. Manual Call Point activation detection

B + / B - in the DC24V state of the circuit voltage state comparison to determine the flow chart.



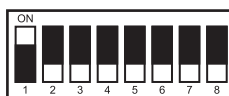
Addressable Point Number Setting



"ON" positions is "1"
Numeric is "0".

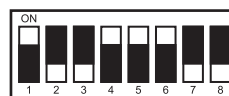
The Device number's corresponding dip switch is as below.

Ex.1



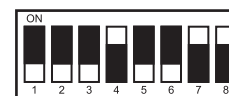
$$1+0+0+0+0+0+0+0=1$$

Ex.2



$$1+0+0+8+16+32+0+0=57$$

Ex.3



$$0+0+0+8+0+0+64+128=200$$

Device No.	Dip Switch	Device No.	Dip Switch	Device No.	Dip Switch	Device No.	Dip Switch	Device No.	Dip Switch	Device No.	Dip Switch
1	10000000	46	01110100	91	11011010	136	00010001	181	10101101	226	01000111
2	01000000	47	11110100	92	00111010	137	10010001	182	01101101	227	11000111
3	11000000	48	00001100	93	10111010	138	01010001	183	11101101	228	00100111
4	00100000	49	10001100	94	01111010	139	11010001	184	00011101	229	10100111
5	10100000	50	01001100	95	11111010	140	00110001	185	10011101	230	01100111
6	01100000	51	11001100	96	00000110	141	10110001	186	01011101	231	11100111
7	11100000	52	00101100	97	10000110	142	01110001	187	11011101	232	00010111
8	00010000	53	10101100	98	01000110	143	11110001	188	00111101	233	10010111
9	10010000	54	01101100	99	11000110	144	00001001	189	10111101	234	01010111
10	01010000	55	11101100	100	00100110	145	10001001	190	01111101	235	11010111
11	11010000	56	00011100	101	10100110	146	01001001	191	11111101	236	00110111
12	00110000	57	10011100	102	01100110	147	11001001	192	00000011	237	10110111
13	10110000	58	01011100	103	11100110	148	00101001	193	10000011	238	01110111
14	01110000	59	11011100	104	00010110	149	10101001	194	01000011	239	11110111
15	11110000	60	00111100	105	10010110	150	01101001	195	11000011	240	00001111
16	00001000	61	10111100	106	01010110	151	11101001	196	00100011	241	10001111
17	10001000	62	01111100	107	11010110	152	00011001	197	10100011	242	01001111
18	01001000	63	11111100	108	00101010	153	10011001	198	01100011	243	11001111
19	11001000	64	00000010	109	10110110	154	01011001	199	11100011	244	00101111
20	00101000	65	10000010	110	01110110	155	11011001	200	00010011	245	10101111
21	10101000	66	01000010	111	11110110	156	00111001	201	10010011	246	01101111
22	01101000	67	11000010	112	00000110	157	10111001	202	01010011	247	11101111
23	11101000	68	00100010	113	10001110	158	01111001	203	11010011	248	00011111
24	00011000	69	10100010	114	01001110	159	11111001	204	00110011	249	10011111
25	10011000	70	01100010	115	11001110	160	00000101	205	10110011	250	01011111
26	01011000	71	11100010	116	00101110	161	10000101	206	01110011		
27	11011000	72	00010010	117	10101110	162	01000101	207	11110011		
28	00111000	73	10010010	118	01101110	163	11000101	208	00001011		
29	10111000	74	01010010	119	11101110	164	00100101	209	10001011		
30	01111000	75	11010010	120	00011110	165	10100101	210	01001011		
31	11111000	76	00110010	121	10011110	166	01100101	211	11001011		
32	00000100	77	10110010	122	01011110	167	11100101	212	00101011		
33	10000100	78	01110010	123	11011110	168	00010101	213	10101011		
34	01000100	79	11110010	124	00111110	169	10010101	214	01101011		
35	11000100	80	00001010	125	10111110	170	01010101	215	11101011		
36	00100100	81	10001010	126	01111110	171	11010101	216	00011011		
37	10100100	82	01001010	127	11111110	172	00110101	217	10011011		
38	01100100	83	11001010	128	00000001	173	10110101	218	01011011		
39	11100100	84	00101010	129	10000001	174	01110101	219	11011011		
40	00010100	85	10101010	130	01000001	175	11110101	220	00111011		
41	10010100	86	01101010	131	11000001	176	00001101	221	10111011		
42	01010100	87	11101010	132	00100001	177	10001101	222	01111011		
43	11010100	88	00011010	133	10100001	178	01001101	223	11111011		
44	00110100	89	10011010	134	01100001	179	11001101	224	00000111		
45	10110100	90	01011010	135	11100001	180	00101101	225	10000111		

