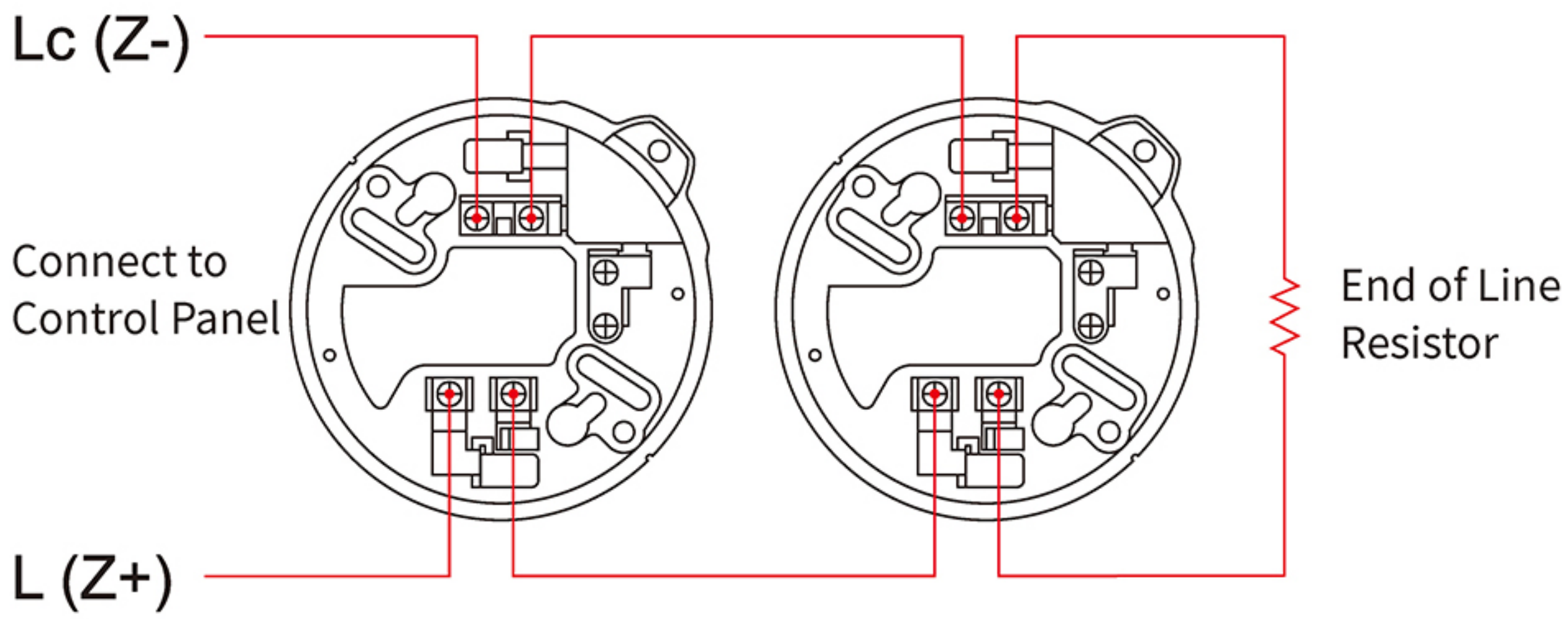
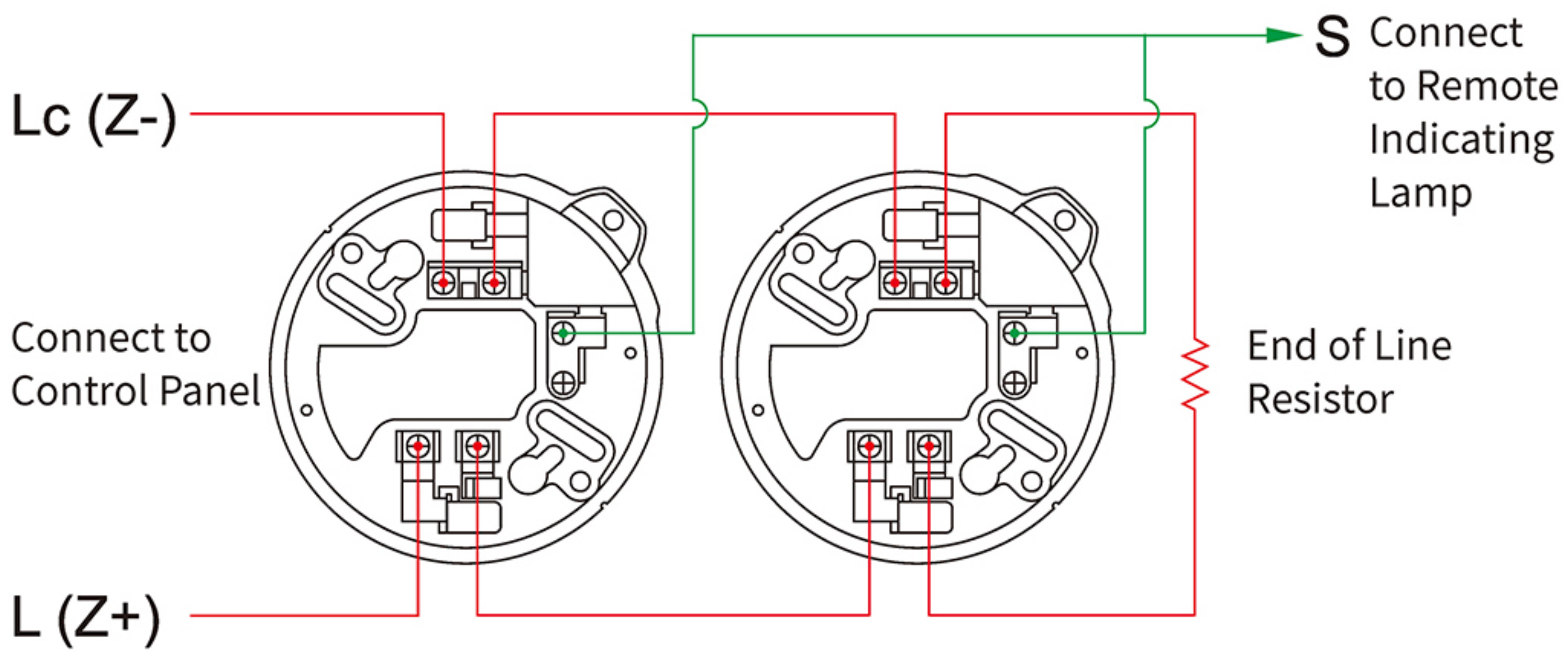


2-Wire Type (Regular) Mounting Base Wiring Method



3-Wire Type (Signal Transfer)



4-Wire Type (Relay Output) Contact Ratings 0.8A @30V DC 0.4A @125V AC

