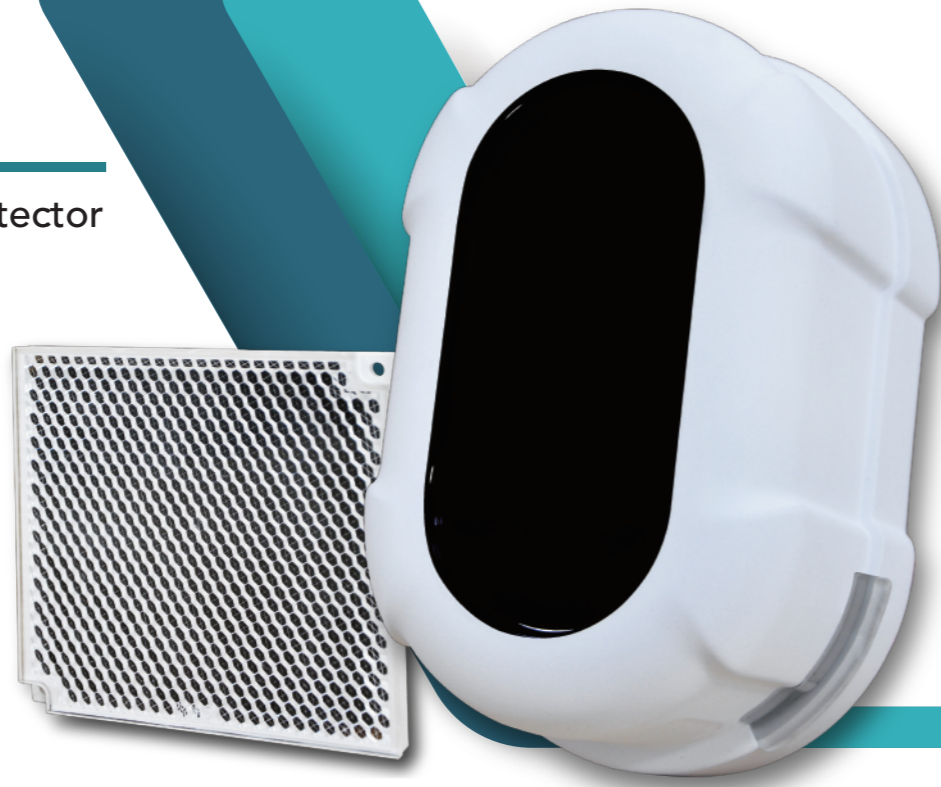


# EDB01

## Reflective Beam Smoke Detector



### Features

- Easy installation
- Laser-aid alignment
- Operating range: 10m to 100m
- Four sensitivity levels 18%, 25%, 35%, and 50%
- Latching / Non-Latching threshold setting
- Lower potential voltage & current consumption
- Self-alignment & Automatic contamination compensation
- Bluetooth App operation on smartphone & tablet, display smoke value, temperature and 3 mode status ( Supervising, Alarm, Fault )

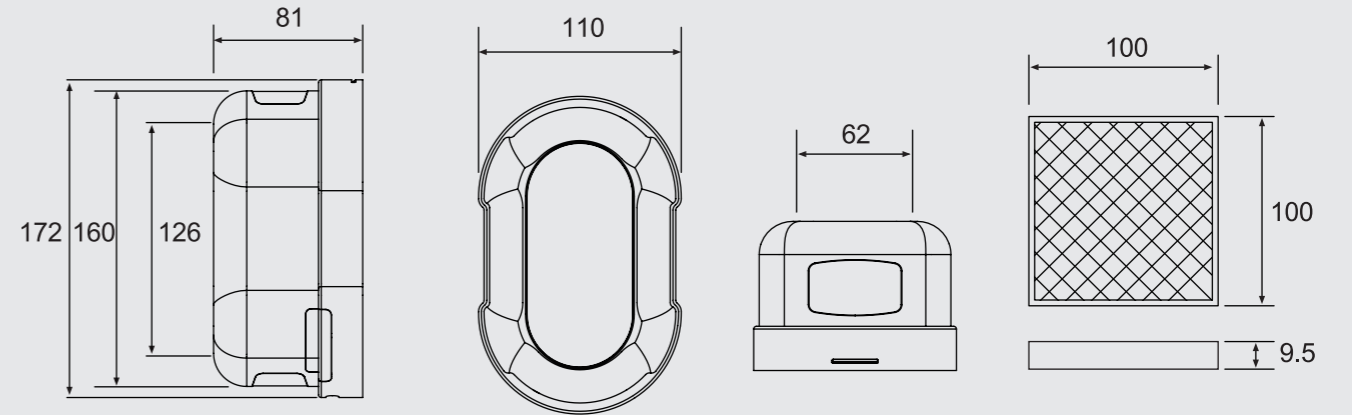
The EDB01 Reflective Beam Smoke Detector is a single unit comprising a transmitter and a receiver. The transmitter projects a cone shaped beam of modulated infra-red light to prisms. An alarm condition will be determined when the signal is analyzed to reach up to the settings of retention of smoke (4 sensitivity levels).

In addition, the unit is designed to be wall-mounted so that the beam will project approximately 0.3m to 0.6m below and parallel to the ceiling and the maximum lateral range is 7.5m either side of the beam. The coverage ranges of distance are from 10m to 100m.

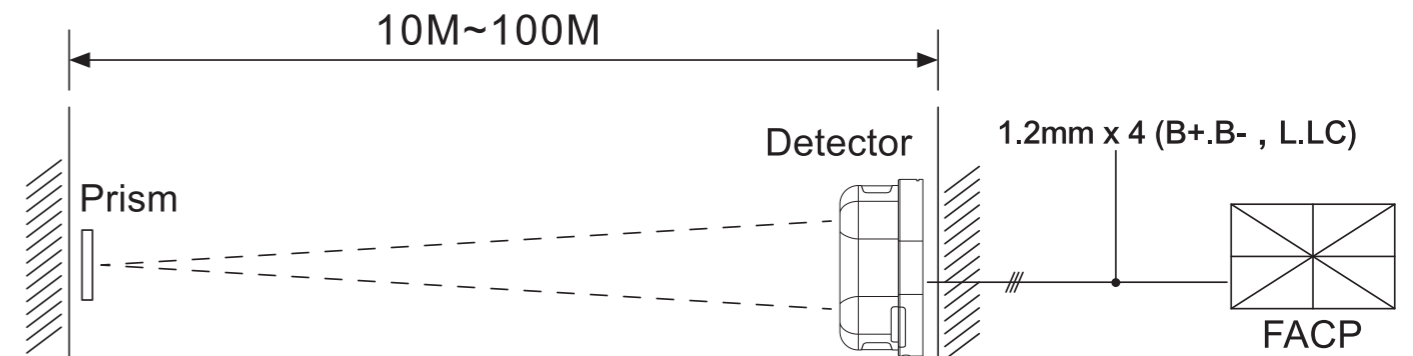
### Application Locations

Arts and leisure centers, electric power stations, factories, industrial plants, museums, shopping malls, sport and event centers, warehouses, halls or lobbies with high ceiling interior designs.

### Dimensions: (unit: mm)



### Operating Range



### Specifications

Model	EDB01	
Operating voltage	12~30V DC	
Standby current	3~20mA	
Alarm current	20~40mA	
Alarm output	1A@30V DC (COM/NO)	
Fault output	1A@30V DC (COM/NC)	
Sensitivity Level	18% (0.75~0.96dB)	10 ~ 20M
	25% (1dB)	20 ~ 50M
	35% (1.07dB)	50 ~ 70M
	50% (1.24~1.59dB)	70 ~ 100M
Operating Range	10m to 50m use 1 prism 50m to 100m use 4 prisms	
Angular Tolerance	Detector: ±0.5° / Prism: ±5.0°	
Ambient temperature	-10°C ~ +55°C	
Material / Color	ABS Plastic / White	
Weight	350g (Detector)	