

INSTALLATION INSTRUCTIONS

Model: AHS-871 Conventional Photoelectric Smoke Detector

Issue/Document Number: S890708

AVOID THESE LOCATIONS

Do Not Locate Your Detector in :

- The Kitchen.
- The Garage.
- In front of forced air ducts used for heating and air conditioning and other high air flow area.
- The peak of an "A" frame type of ceiling.
- Areas where temperatures may fall below 40°F or above 100°F.
- Dusty areas.
- Very humid areas or near a bathroom.
- Near electrical lights.

RECOMMENDED LOCATION OF DETECTORS

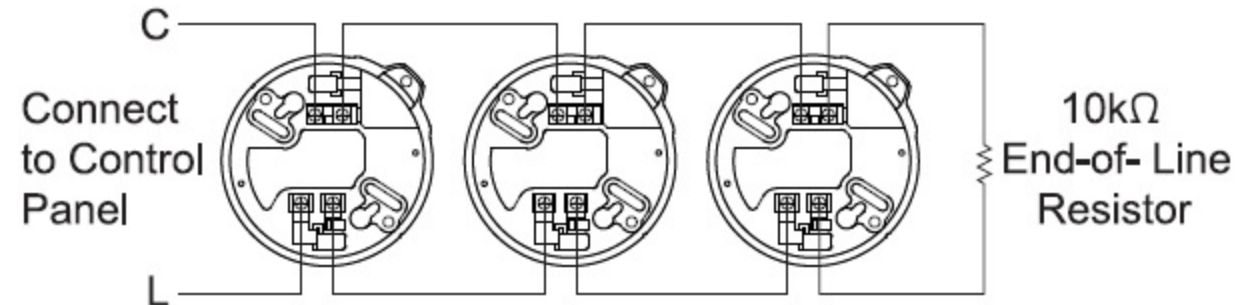
- Locate the detector near the exit pass if the ceiling height is lower than 2.3 meter or the floor area is smaller than 40M².
- Locate the detector at a minimum of 2 feet from the sidewall or any corner.
- Locate the detector at the hallway in every 60 feet. If the hallway is less than 30 feet long, detector is not necessary.
- Locate the detector at the stairway in every 30 feet.

EFFECTIVE ALERT AREA

| <i>Installation Height</i> | <i>Effective Area</i> |
|----------------------------|-----------------------|
| Under 4M | 150 M ² |
| 4 ~ 20M | 75 M ² |

WIRING DIAGRAM 2-WIRE TYPE

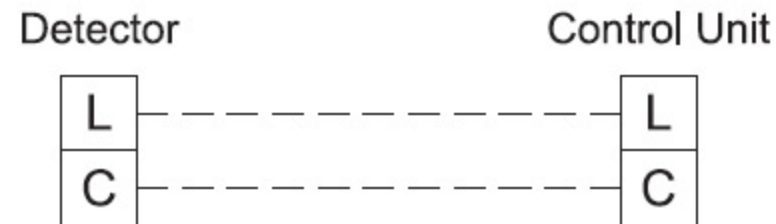
(End of line resistor on last detector)



Caution : Do not connect loop wires at the same point to prevent function loss.

DETECTOR TO CONTROL UNIT

(The detector can be used with any compatible control panel)



POWER SUPPLY TO DETECTOR

