

# AHMB-061

## Mounting Base

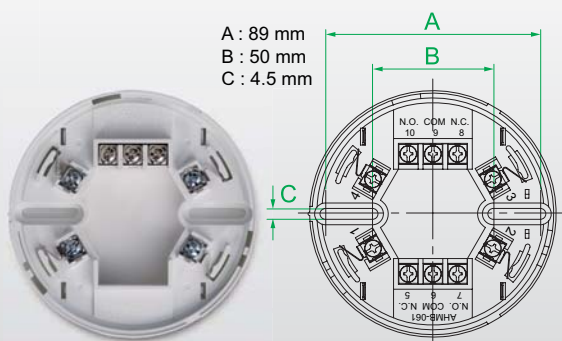


### Design Characteristics

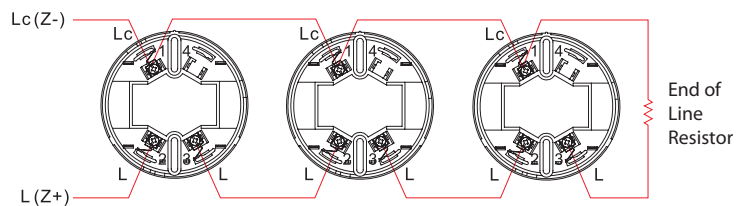
- The standard detector is 2-wire or 3-wire. For 4-wire type just add one relay output module. Simple and easy module placement enables wider application and flexible stock control.
- Major advantage of using the compatible mounting base is to avoid wasting time selecting proper detectors for various purposes and be able to install the base quickly and continuously. Afterwards, just plug-in proper detector head to complete the project.
- Applies to model nos. Q01, Q05, Q06, AH-0621, 8011, AH-0715, 8016 and AH-0633.

### Order information

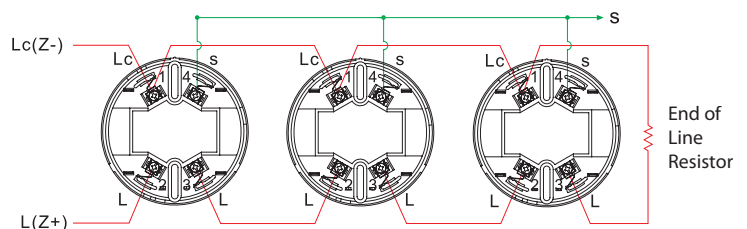
Model	Feature, Application
AHMB-061-2	2-wire Apply to fire alarm control panel
AHMB-061-3	3-wire Auxiliary for remote indicating lamp
AHMB-061-4	4-wire 12 ~ 24VDC, optional one set of relay output. Apply to security system...etc.



### 2-Wire Type (Regular)

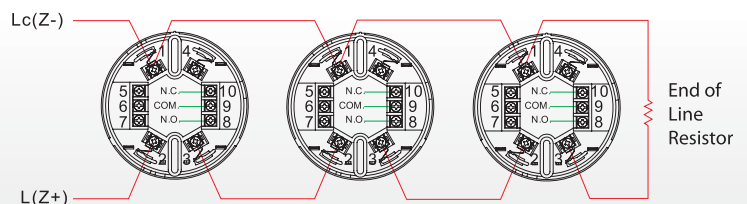


### 3-Wire Type (Signal Transfer)



### 4-Wire Type (Relay Output)

Contact Ratings 0.8A @30V DC 0.4A@125V AC



Approvals:  