

# AH-031 Series

AH-0311 Multi-Purpose Smoke Detector

AH-0315 Multi-Purpose Smoke and Heat Detector

AH-0316 Multi-Purpose Combination Heat Detector



AH-0311



AH-0316



AH-0315

## Characteristics

- Special chamber design has greatly decreased dust levels and improved detection accuracy.
- Dual LEDs for 360-degree visibility.
- Advanced technology enables this detector to increase its precision in fire detection, improve signals to avoid noise interference and thus reduce unwanted false alarm.
- Low current consumption that allows more detectors to be used with each control panel.
- Dual contacts on the base which enhance the connecting stability between sensor and base.
- All bases are fitted with a shorting spring to permit maintenance without disconnecting when removing the detector head.

## Multi-purpose Resettable Type

*This unit has designed for relay output feature with optional individual power source and it has been used widely in the current market. This resettable detector is not only use as a fire alarm system but will also supervise input power via an optional relay output for power breakdown or wire break. Fault relay contact will open when power breakdown occur and fire alarm signal will transmitted to connected system or computer terminal when detector is activated. When the alarm signal is absent the detector will automatically return to standby status. Optional built-in buzzer can sound a warning at the first sign of fire. This detector is currently used quite often in security systems and is also promoted for use in communications, banking, shipping or the art business.*

# AH-0316

## Multi-Purpose Combination Heat Detector



### Specifications

Model	AH-0316-2	AH-0316-3	AH-0316-4
Voltage Range	12 ~ 30V DC		
Standby Current	45μA		
Alarm Current @24V DC 470Ω	30mA	35mA	40mA
Thermal Setting	58°C		
Response Grade	Comply to EN54, Grade 1		
Ambient Temperature	-10°C ~ +55°C		
Material	Fire-proof plastic		
Dimensions	102mm(Dia.) x 58mm(H)		
Weight	145g	147g	160g
Color	White		

### Order information

AH-0316-2	2-wire
AH-0316-3	3-wire with remote indicator output
AH-0316-4	4-wire with relay output

### Specifications (Resettable)

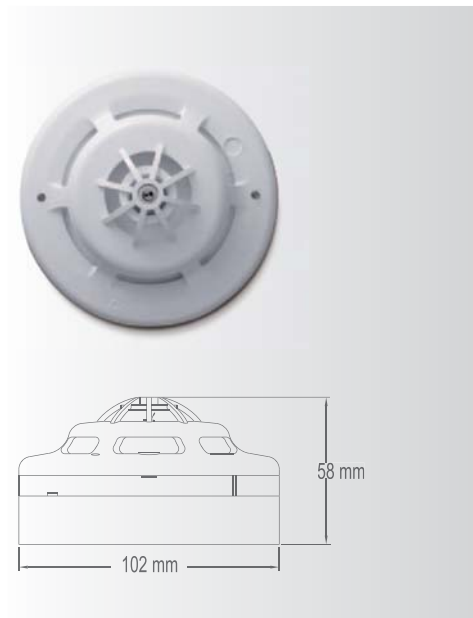
Model	AH-0316-S
Alarm Current	35mA
Standby Current	30μA
Voltage Range	12V DC
Weight	157g

### Order information (Resettable)

AH-0316-S	+ Relay Output
-----------	----------------

### Effective alert area

Construction/Height	Under 4M	4M ~ 8M
Fire-proof Building	90 M <sup>2</sup>	45 M <sup>2</sup>
Ordinary Building	50 M <sup>2</sup>	30 M <sup>2</sup>



Approvals:

EN54  